

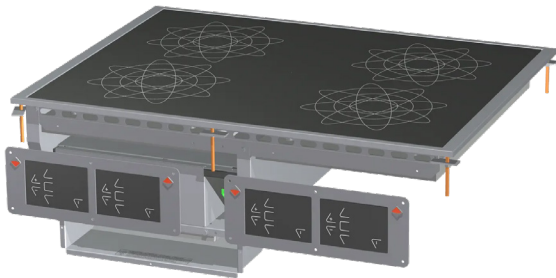
Technical data sheet

Product features



Electric drop-in induction cooker 4x drop-in hot plate 400 V

Model	SAP Code	00007451
--------------	-----------------	----------



- Device type: Electric unit
- Power consumption of the zone 1 [kW]: 5
- Power consumption of the zone 2 [kW]: 5
- Power consumption of the zone 3 [kW]: 5
- Power consumption of the zone 4 [kW]: 5
- Protection of controls: IPX5
- Material: Stainless steel

SAP Code	00007451	Number of zones	4
Net Width [mm]	800	Power consumption of the zone 1 [kW]	5
Net Depth [mm]	600	Power consumption of the zone 2 [kW]	5
Net Height [mm]	310	Power consumption of the zone 3 [kW]	5
Net Weight [kg]	40.00	Power consumption of the zone 4 [kW]	5
Power electric [kW]	20.000	Ceramic glass dimensions [mm x mm]	750 x 570
Loading	400 V / 3N - 50 Hz		

Technical data sheet

Technical drawing

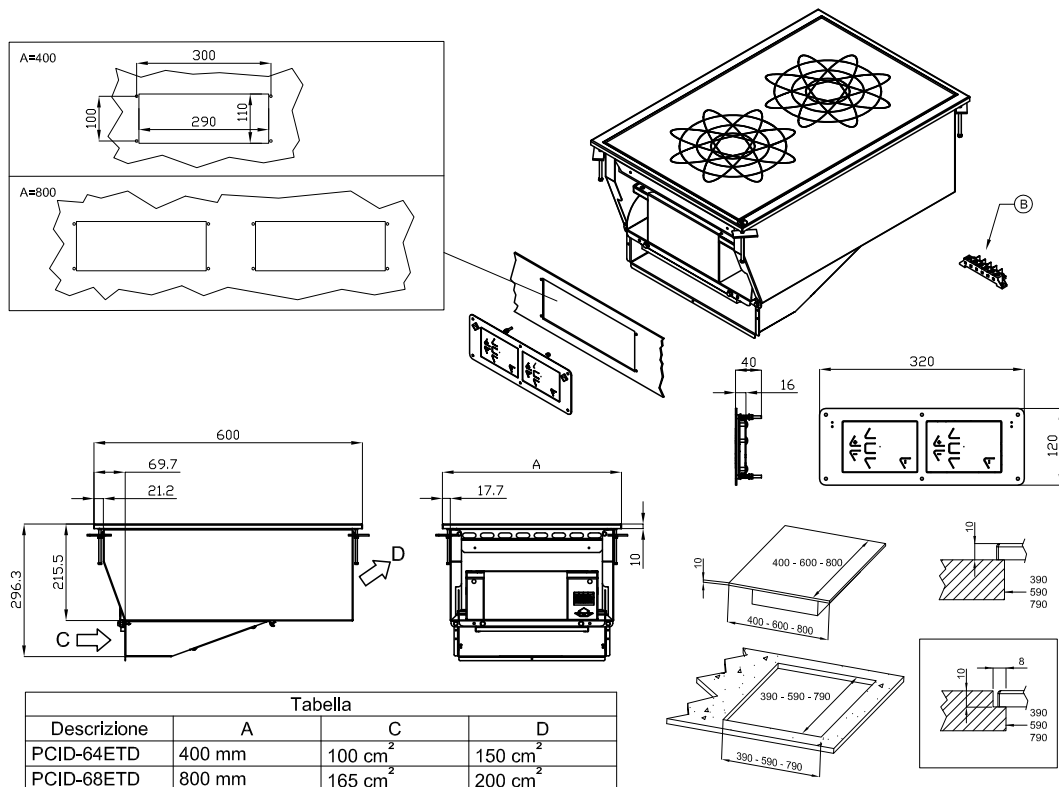


Electric drop-in induction cooker 4x drop-in hot plate 400 V

Model

SAP Code

00007451



A	Data plate		B	Electrical connection	
---	------------	--	---	-----------------------	--

Technical data sheet

Product benefits



Electric drop-in induction cooker 4x drop-in hot plate 400 V

Model

SAP Code

00007451

1

Induction surface with digital control

fastest heating of the cooking zone
precise heating only at the place where the container is placed

- time-saving for food preparation
- no reheating and long cooking times

2

Degree of protection of the control elements IPX5

maintenance-free system
resistance to splash water
long life

- savings on service interventions
- easy cleaning and maintenance of equipment

3

All-stainless design

the material does not cut
wear resistance of the material
long life

- savings on service interventions
- easy cleaning and maintenance of equipment

4

Hygienic moldings of the top plate

absence of sharp corners and edges (potential places where dirt could stick)
smooth transitions

- easy quick cleaning

5

Variability

the possibility of attaching to a fixed plate as part of a monoblock
the possibility of creating one module
long life

- cost saving
- space saving
- long service life

Technical data sheet

Technical parameters



Electric drop-in induction cooker 4x drop-in hot plate 400 V

Model	SAP Code	00007451
--------------	-----------------	----------

1. SAP Code:

00007451

2. Net Width [mm]:

800

3. Net Depth [mm]:

600

4. Net Height [mm]:

310

5. Net Weight [kg]:

40.00

6. Gross Width [mm]:

1080

7. Gross depth [mm]:

630

8. Gross Height [mm]:

470

9. Gross Weight [kg]:

45.00

10. Device type:

Electric unit

11. Construction type of device:

Drop-in

12. Power electric [kW]:

20.000

13. Loading:

400 V / 3N - 50 Hz

14. Protection of controls:

IPX5

15. Material:

Stainless steel

16. Worktop type:

Molded - comfortable cleaning maintenance

17. Worktop material:

AISI 304

18. Worktop Thickness [mm]:

2.00

19. Number of zones:

4

20. Power consumption of the zone 1 [kW]:

5

21. Power consumption of the zone 2 [kW]:

5

22. Power consumption of the zone 3 [kW]:

5

23. Power consumption of the zone 4 [kW]:

5

24. Power control type:

digital

25. Number of power control stages:

6

26. Service accessibility:

From the front by removing the front panel and waste fluid containers

27. Number of burners/hot plates:

4

28. Type of electric cooking zones:

Induction

Technical data sheet

Technical parameters



Electric drop-in induction cooker 4x drop-in hot plate 400 V

Model

SAP Code

00007451

29. Ceramic glass dimensions [mm x mm]:

750 x 570

30. Cross-section of conductors CU [mm²]:

10

– Výkon (kW): 5,7-6,6 (230 V); 9,8-11 (400 V)